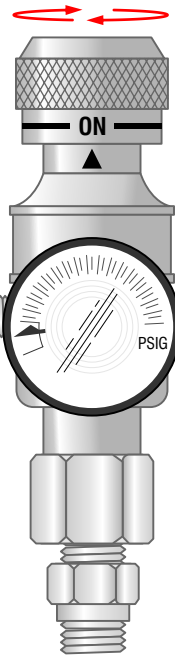


**ASSEMBLED
(READY TO USE)**

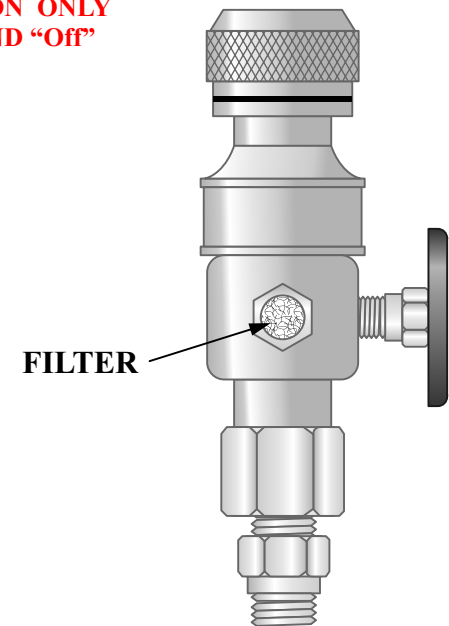
P/N 21-502

**NOTE:
CLOCKWISE ROTATION ONLY
to turn regulator "On" AND "Off"**



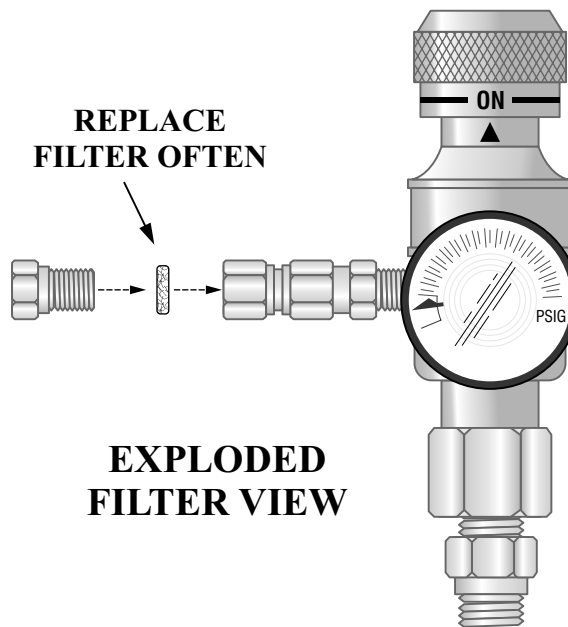
P/N 21-501

TO SAMPLE
POINT



**SIDE VIEW
(FILTER EXPOSED)**

REPLACE
FILTER OFTEN



**EXPLODED
FILTER VIEW**

Texas Analytical Controls Inc.

**Q.C. SPA
Sample Assembly V2**

DI TV 07/08/21 REV - 2.0

SHEET 1 of 1